

Design Blinds

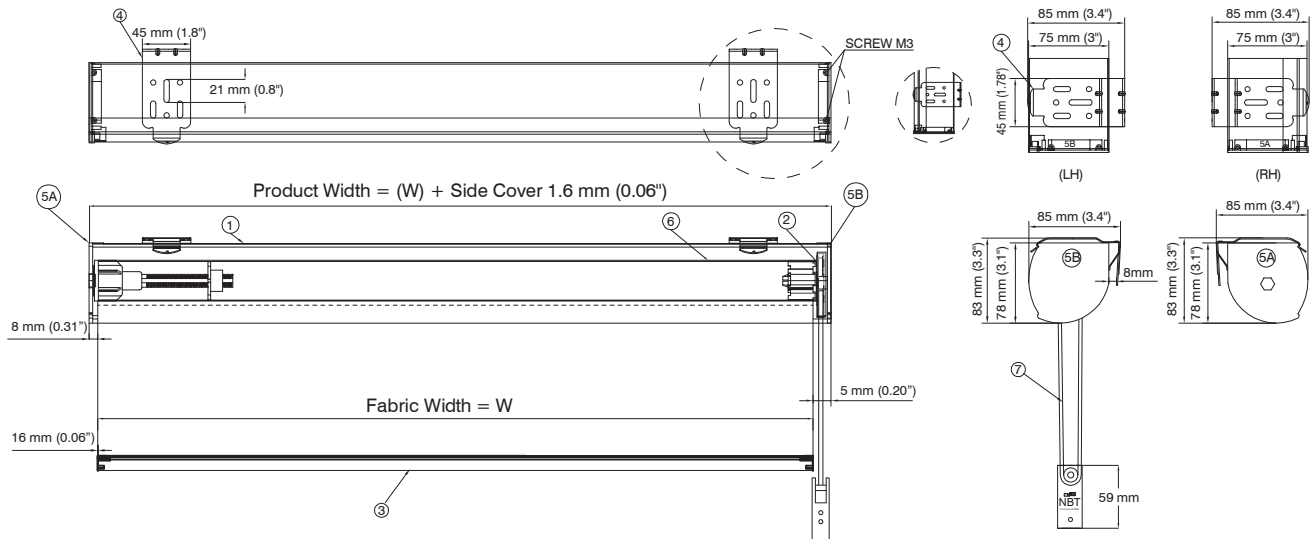
Design Blind - Roman Pillar

Roman Pillar

- Merging the modern with a traditional. A pull creates an excellent view.
- The Blind offers greater light control.

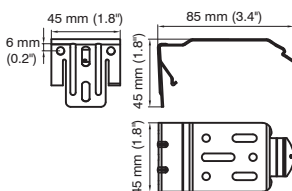


Structure Drawing

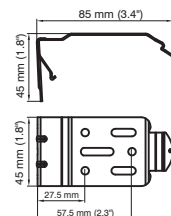


Installation Dimensions

Wall attachment



Ceiling attachment



Components and Materials

No.	Components	Material
①	Head Rail	Aluminum
②	Clutch	Polyacetal resin
③	Bottom Bar	Aluminum
④	Bracket	Steel
⑤	5A- Side End cap 5B- Side End cap	Polyacetal resin
⑥	Tube	Aluminum
⑦	Cord + Cord Wt.	Polyester